

Before you start...

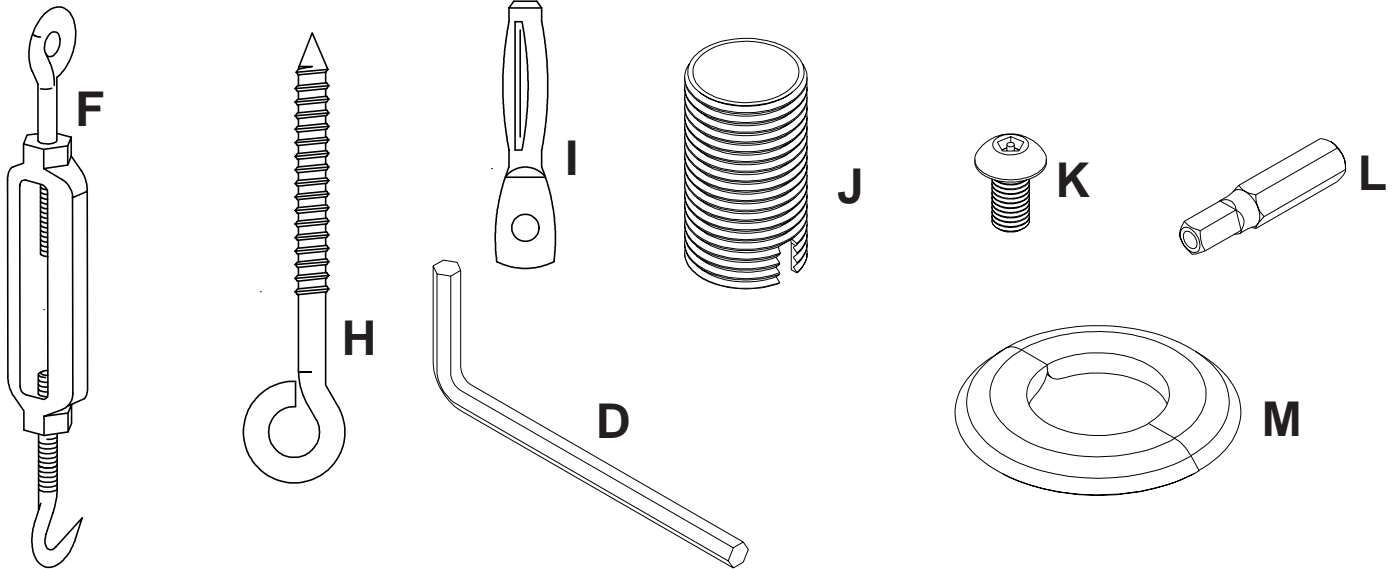
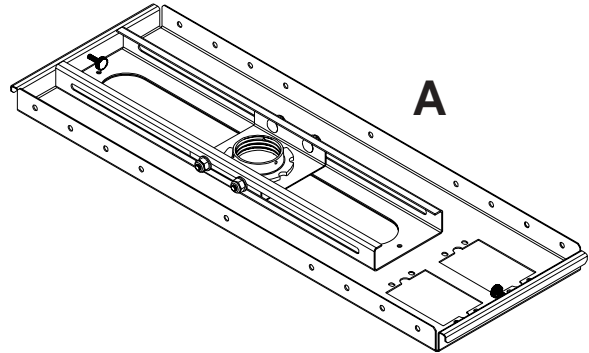
Please read entire instruction sheet and check the parts list to insure that all parts and fasteners have been included.

Recommended tools: Phillips screwdriver, hammer and wire cutters, drill and drill bits.

QTY.	DESCRIPTION	PART #
A	1 ceiling tray	055-0492
B	4 1/4"-20 x 3/8" screws (not shown)	520-2015
C	4 1/4"-20 nuts (not shown)	530-9302
D	1 allen wrench	560-9706
F	4 turnbuckle	560-9620
G	1 20' (6.1m) tie wire (not shown)	600-2008
H	5 eye bolt	580-0006
I	5 concrete anchor	580-0005
J	1 flush mount tube	1446-014
K	1 M5 x 10 mm penta pin screw	505-9010
L	1 M5 x 1" penta pin driver	520-9249
M	1 escutcheon ring	1418-001A

Note: You may not need all hardware provided.

This Adjustable Suspended Ceiling Plate is intended for use only to support Projector Mounts or other products as specified by Peerless.



Lightweight Adjustable Suspended Ceiling Plate for Projector Mounts - Specifications		
Model Number	Max. Load Capacity	
	Concrete	Wood
SCP 100	60 lb (27 kg)	60 lb (27 kg)
⚠ WARNING		
<ul style="list-style-type: none"> Weight of projector and mount not to exceed maximum load capacity. 		

IMPORTANT PRE-ASSEMBLY INFORMATION:

Ceiling Tray (A) is designed to fit above a 24" (610 mm) x 24" (610 mm) section of a conventional suspended ceiling system. It may also be mounted above 24" x 48" conventional suspended ceiling. Ceiling runners (see **DETAIL 2, page 3**) should have a "T" cross section and a minimum height of 1.5" (38 mm).

For certain installations it may be best to install ceiling anchors (**step 5**) before installing the ceiling tray (**step 1**).

1 Place ceiling tray (A) in grid above 24" x 24" or 24" x 48" false ceiling tile so that lip of ceiling tray (A) rests on ceiling runners as shown in **figure 1**. Place in desired position and tighten knurled knobs until ceiling tray (A) is securely attached to ceiling runners.

Slide collar mount plate to desired position. Using hole in collar mount plate, mark false ceiling tile where hole will be cut. Slide collar mount plate out of the way. Cut out 2.25" hole in false ceiling tile. Slide collar mount plate back into position and tighten all carriage bolts and nylock nuts using a 7/16" wrench.

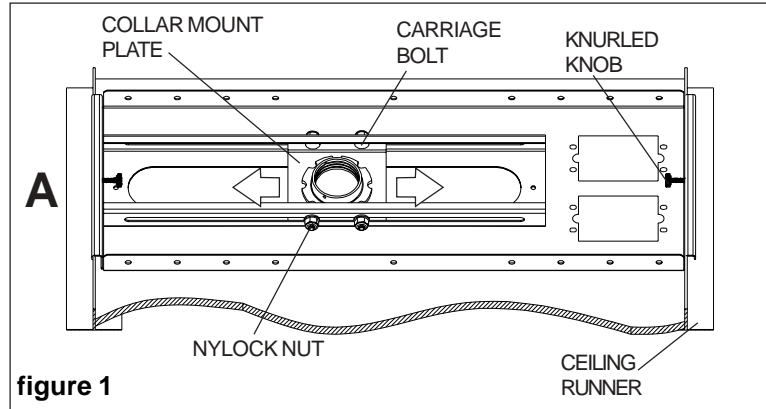
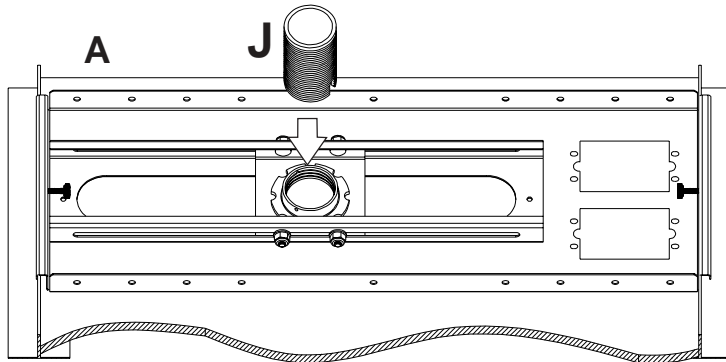


figure 1

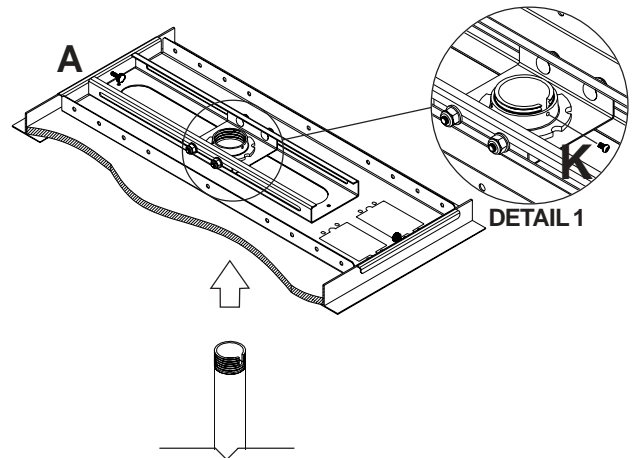
2 For Flush Mounting Applications

From the top down, thread flush mount tube (J) down through retaining collar in adjustable collar mount plate. *Skip to step 4.*

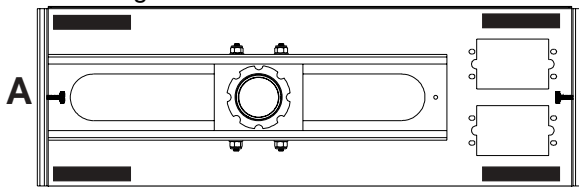


3 For Extension Column Applications

From the bottom up, thread extension column (not included) up through retaining collar in adjustable collar mount plate. Align notch in extension column with hole in collar and fasten using M5 x 10 mm security screw (K) as shown in **detail 1**.



4 Snap escutcheon ring (M) around flush mount tube or extension column and slide up until flush with ceiling tile. Hook turnbuckles (F) into ceiling tray (A) as shown in **figure 2**. Hook turnbuckles through ceiling tray (A) where indicated by black rectangles in illustration below.



TOP VIEW - CEILING TRAY
Black rectangles show correct positions for Turnbuckles.

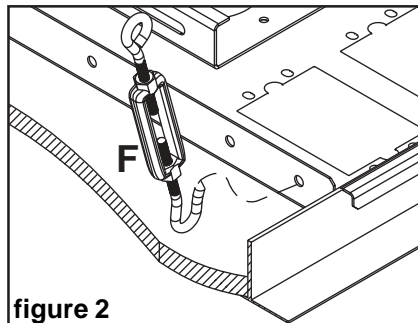


figure 2

5 Cut tie wire (G) into four pieces of equal length. Insert wires through ends of turnbuckles. Twist each wire around itself at least four times.

Drill holes for four ceiling anchors (see "Various Anchoring Methods"). Position the holes so that when the tie wires (G) are attached and taut will angle out at 15°.

Pull tie wires tight and attach to ends of ceiling anchors (or truss). Again twist each wire around itself at least four times.

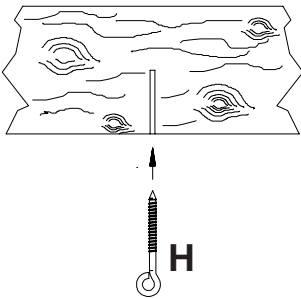
When this step is complete, the weight of the ceiling tray should be supported by the tie wires.

Note: 20' (6.1 m) of tie wire (G) is provided. If space between the true ceiling and suspended ceiling is more than 36" (914 mm), additional wire (12 gauge annealed, steel, black) will be needed.

VARIOUS ANCHORING METHODS

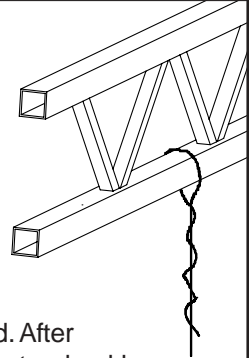
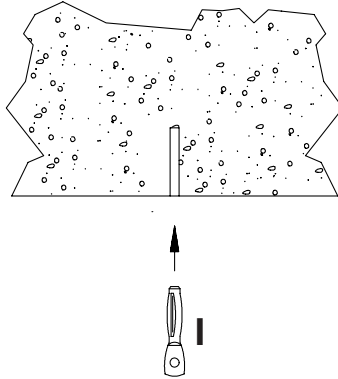
Wood Joists or Beams

Drill 5/32" (4mm) dia. holes 2" (51mm) deep. Fully insert eye bolts (H).



Solid Concrete

Drill 1/4" (6 mm) dia. holes 1.5" (38 mm) deep. Hammer in Concrete Anchor (I) using Rawl #3250 setting tool or equivalent.



Truss Ceiling

No anchor required. After attaching tie wire to turnbuckle loop upper end around ceiling truss. Pull tie wire tight and twist it around itself at least four times.

⚠ WARNING

- It is the responsibility of the installer to verify that the ceiling to which the suspended ceiling kit is anchored will safely support the combined load of all attached components (Projector Mount, Extension Column, etc.) and equipment.
- Never attach hooks to filler tray.

6 Suspended Ceiling Kit installation is now complete. After all components (Projector Mount, Extension Column, etc.) and equipment have been attached, tension the tie wires by adjusting turnbuckles (F). **Load must be carried by tie wires - not suspended ceiling runners.**

